

CDLB Series

.236" (6.0mm) LED Indicator, IP67 sealed and Vandal Resistant



Long-body LED indicator fits thick panels, Prominent bezel style for increased visibility - IP67 rated



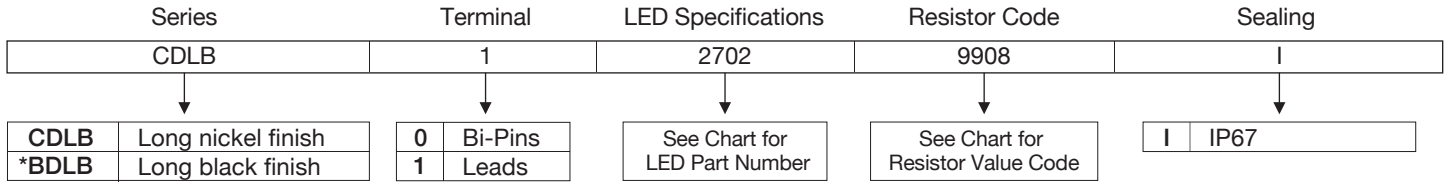
Application

- Main Power Indication
- Machine Tools
- Civil Engineering Vehicles
- Maritime, Oil and Gas Industry
- Automation and Control
- Status indication
- Professional Electrical Appliance
- Instrumentation
- Aircraft/Military Instrumentation

Key Features

- For panel hole diameter: 0.236" (6.0mm)
- Prominent bezel style LED indicator for increased visibility (3mm LED T-1)
- Long-body indicator (longer threads) which fit thicker panels up to .256" (6.5mm)
- Available in nickel-plated brass housing
- Available with ultra bright daylight viewing LEDs.
- Designed for the extreme, harsh and outdoor environment
- Sealed against moisture and dust (IP67)
- Optional resistor for 5V-28VDC and 120VAC
- Offered with 6" 24 AWG wire leads or bi-pins
- Available in five single illumination colors: red, green, yellow, blue, and white
- Viewing angle: 25°-60° (depending on model)
- Mounting hardware provided: lock washer, hex nut and gasket seal
- Thread size: M6*0.75mm
- Mounting torque: 20 ± 2 in-lb (2.26 ± 0.23 N-mm)
- Resistant to vandal, shock and vibration
- Life Expectancy: 50,000 hours average
- For custom cable length, voltage, connectors, finish or colors, contact VCC
- RoHS and REACH Compliant

Ordering Data



*Contact VCC for black matte finish



Example:

CDLB-1-2702-9908-I

CDLB Nickle Finish, Wire Leads, Super Ultra Bright Red LED 12 Volt, IP67

LED Specification Chart Electrical and Optical Characteristics (TA = 25°C)

LED Part Numbers	Color	Luminous Intensity (mcd) Typ. @ IF (mA)	VF Typ. @ IF (mA)	Viewing Angle (2θ ^{1/2})	Peak Wavelength (nm)
------------------	-------	---	-------------------	------------------------------------	----------------------

ULTRA BRIGHT - DAYLIGHT READABLE

2702	Red	299.0	20	1.85	20	60°	660
2700	Green	199.0	20	2.1	20	60°	574
2701	Yellow	219.0	20	2.0	20	60°	590
8711	Blue	2300.0	20	3.5	20	25°	470
8712	White	250.0	20	3.6	20	30°	N/A

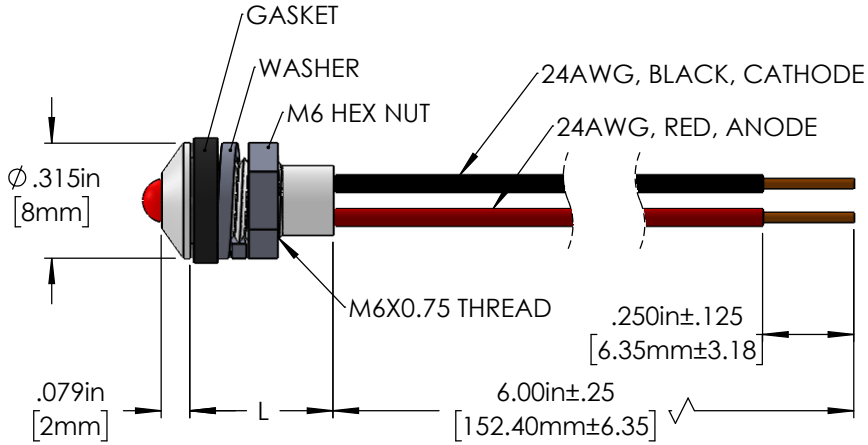
Resistor Chart Operating Specification

Resistor Value Code	Voltage	Current (mA)	Resistor Value (Ohms) Green, Yellow Red, Bicolor LED	Resistor Value (Ohms) Blue, White LED
---------------------	---------	--------------	--	---------------------------------------

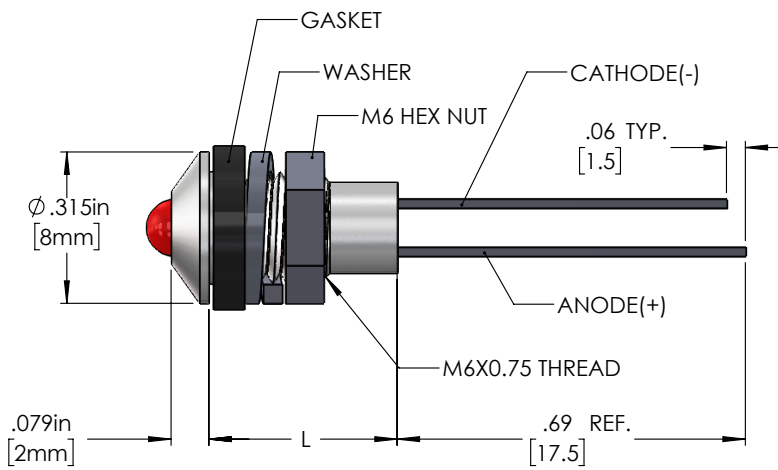
9907	5	20	150	
9922	5	20		65
9908	12	20	511	
9909	12	20		357
9910	24	20	1100	
9911	24	20		953
9923	28	20	1500	
9933	28	20		1300
9920	120VAC	8	6490	Contact VCC

Product Dimensions

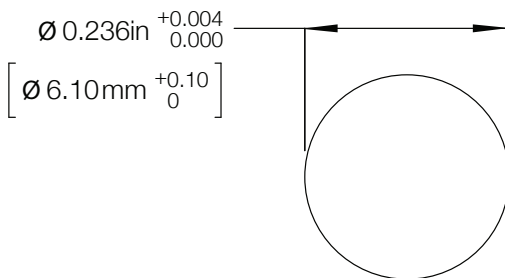
CDLB Series Wire Leads



CDLB Series Bi-Pins



Recommended Mounting Hole



Notes:

1. All dimensions are in inches [millimeters]
2. Tolerance is $\pm[0.25] 0.01$ unless otherwise noted.
3. The specifications, characteristics and technical data described in the datasheet are subject to change without prior notice.

Product Dimensions

Materials	
Housing	Nickel-plated brass housing
Wire Leads	24 awg, 6" length, red anode, black cathode
Washer	Stainless steel
Gasket (for W and I option)	70 BUNA
Hex Nut	Brass Alloy 360 - 1/2 Hard

Electrical Specifications	
Operating Voltage	Refer to table
Operating Current	Refer to table

Installation Specifications	
Mounting Hole	0.236" +.004/-.000" (6.0mm +0.10/-0.00mm)
Panel Thickness (max.)	0.256" (6.5mm)
Wire Leads	24AWG UL1061 6.0" (152.4mm) red (anode) and black (cathode), leads stripped .250" (6.35mm)
Wire Leads AC Version	Black (hot) White (neutral) with external diode on black wire
Mounting Torque	20 ± 2in-lb (2.26 ± 0.23 N-mm)

Temperature Specifications	
Operating Temperature	Red, Green and Yellow -40°C to +85°C Blue and White -40°C to +80°C
Storage Temperature	Red, Green and Yellow -40°C to +85°C Blue and White -40°C to +100°C

Custom Connector

VCC can add crimped connections to your panel mount indicators (PMIs) and combine two final steps into one seamless transaction. We offer a range of connector options, including:



2 Position Connector



Wire-to-Wire Crimp Housing



Crimp Housing Connector



Micro-Fit Connector - Dual Row



Micro Rectangular Power Connector

Compliances and Approvals

