

# DSD-3042

## 42" F-HD Digital Signage & Touch Monitor

### Preliminary



### Features

- 42" LCD supports F-HD resolution 1920 x 1080
- High brightness of 500 cd/m<sup>2</sup>
- Backlight: LED
- High contrast ratio of 4000:1
- Low power consumption 120 W
- Quick response time 8 ms
- Wide viewing angle 178 / 178 degrees
- Speaker: 10W x 2
- Backlight life time: 50000 hrs
- Display colors: 1073 M colors
- Optional Touch: Optical touch, multi-touch

### Introduction

The Advantech DSD-3042 series comes with a 42" 500 cd/m<sup>2</sup> industrial grade digital signage monitor. The series is also available with flexible optional stand base & optical touch. DSD-3042 series supports 4000:1 high contrast ratio with low power consumption at the maximum consumption of 120W. DSD-3042 provides superior performance for semi-outdoor or indoor applications.

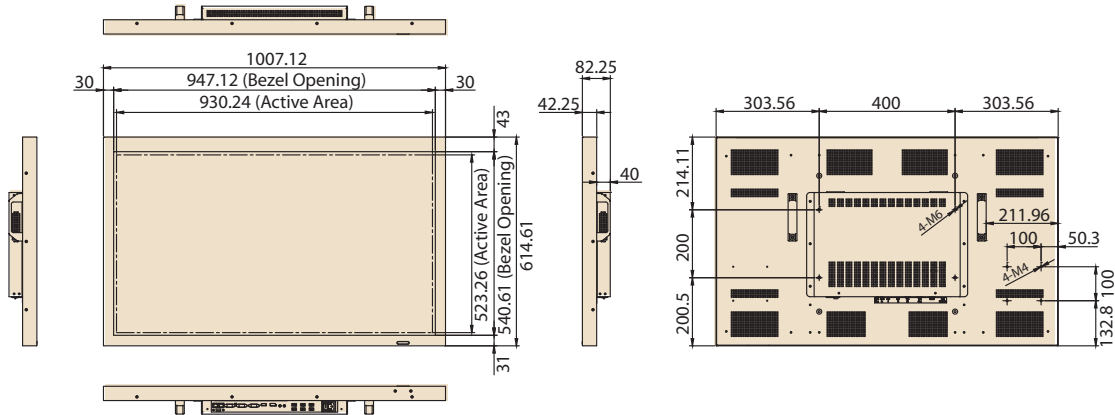
### Specifications

Display	Model	DSD-3042N-50FHA1E	DSD-3042T-50FHA1E
	Display Size	42" LED backlight panel	42" LED backlight panel
	Resolution	1920 x 1080 (F-HD)	1920 x 1080 (F-HD)
	Viewing Angle (U/D/L/R)	89°/89°/89°/89°	89°/89°/89°/89°
	Brightness	500 (cd/m <sup>2</sup> )	500 (cd/m <sup>2</sup> )
	Contrast Ratio	4000 : 1	4000 : 1
	Response Time (ms)	8	8
	Colors	1073 M	1073 M
	Backlight Life (hrs)	50,000hrs	
System	Power input	100~240 V	100~240 V
	Consumption	120 W	120 W
	Interface	VGA, HDMI, Display Port	VGA, HDMI, Display Port
	OSD control function	RS-232, RS-485, remote control	RS-232, RS-485, remote control
	OSD Language	Simplified Chinese, Traditional Chinese, English, Japanese, French, German, Spanish	
	Source auto detect	Yes	Yes
Environment	Operating Temperature	5 ~ 45° C	
	Storage Temperature	-20 ~ 55° C	
	Humidity	20 ~ 80%RH	
Mechanical	Net weight	18 Kg	29 Kg
	Gross Weight	21 Kg	33 Kg
	Dimension (mm)	961 x 555 x 72.7	1007 x 615 x 82
	Packing (mm)	1140 x 760 x 200	1140 x 760 x 250
	VESA Mounting	400 x 200 (mm)	400 x 200 (mm)
Optional Touch	Interface	N/A	USB 2.0
	Touch type	N/A	Optical touch
	Multi touch	N/A	2 points

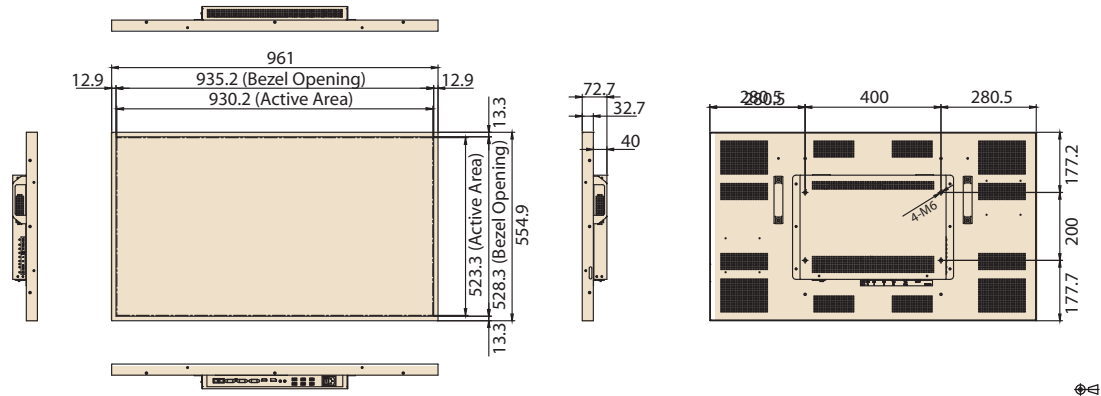
## Dimensions

Unit: mm

### DSD-3042T-50FHA1E



### DSD-3042N-50FHA1E



## Ordering Information

Part No.	Size	Brightness (cd/m <sup>2</sup> )	Interface	Touch screen	Touch Interface
DSD-3042N-50FHA1E	42"	500	VGA, HDMI, Display Port	N/A	N/A
DSD-3042T-50FHA1E	42"	500	VGA, HDMI, Display Port	Optical touch	USB

## Packing List

Item Name	Description
HDMI cable	1.8 M
US Power Cord	1.8 M
USB cable	1.8 M
Remote Control	IR remote controller

## Optional Items

Part Number	Description
1700000596	China Power Cord
1700018705	Europe Power Cord
1702031801	Power cable UK Plug 1.8 M